



# STONE WOOD

— S H A K E —

Stone Coated Steel Roof





# STONE WOOD SHAKE



## LIGHTWEIGHT

**Stone Wood Shake** is wide, which means that the tile covers a large area. It's lightweight (only about 1/6 weight of traditional clay or cement tile), therefore, you can save considerable amounts of money on extra structural support and freight.



## RE-ROOFING

**Stone Wood Shake** can bring a new look to your home if you are unsatisfied with your existing roof. It is designed to be easily installed over most existing roofs.



## MANUFACTURED TO INTERNATIONAL STANDARDS

ROSER CO., LTD is registered to ISO 9001 the quality management system standard, to meet rapidly changing demand of the 21st century, now accepted in many countries around the world. Complies with ICC (International Code Council) ICC-ES, ESR-1763



## EASY HANDLING

**Stone Wood Shake** can be cut, bent, and shaped to meet the most demanding roof design from as low as a 12-degree pitch to a 90-degree angle pitch.



## EXCELLENT COLOR CHOICE

**Stone Wood Shake** has a great selection of colors to choose from which will suit for customer's color preference. The colors blend in perfect harmony to give a natural and dazzling look to your roof.



## OUTSTANDING DURABILITY:

**Stone Wood Shake** is designed and manufactured to withstand against various weather conditions such as hot and cold weather, strong wind, and heavy rain. The core strength is **Galvalume** steel (Al-Zn Alloy) which provides long-term corrosion resistance. On both sides of this core an additional corrosive resistant coating is applied respectively for enhanced durability. The stone chips are embedded onto a durable basecoat to provide enhanced and beauty.

**ROSER** Stone Coated Steel Roof



# STONE WOOD

## SHAKE

### Stone Coated Steel Roof



With the beautifully finished two-tone color touch, **StoneWood Shake** adds premium wood grain design to your house. **Stone Wood Shake** is a world famous, unbelievably light-weight roofing system that can enhance the look of your roof with its elegant design and great color range. **StoneWood shake** is designed and manufactured to withstand various weather conditions such as hot and cold temperature, strong wind, and heavy rain. The granulated stone chips on the surface give additional beauty to your roof.



With Batten



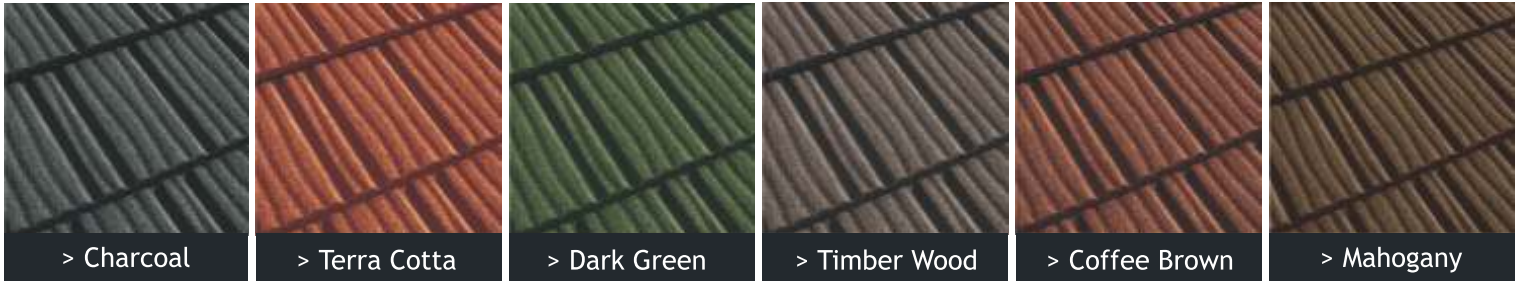
Without Batten

※ Stone Wood Shake can be installed both with and without batten (1' x 4' or 2' x 2')

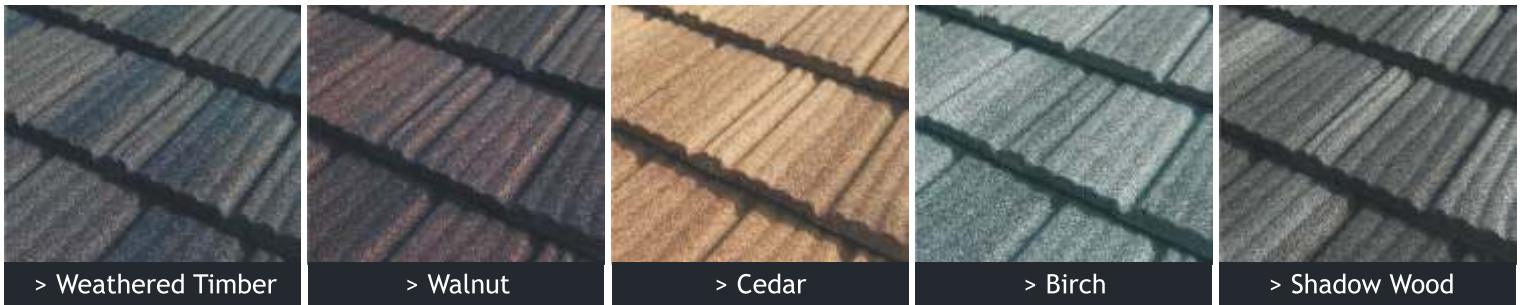
# STONE WOOD

## SHAKE

### Standard Color

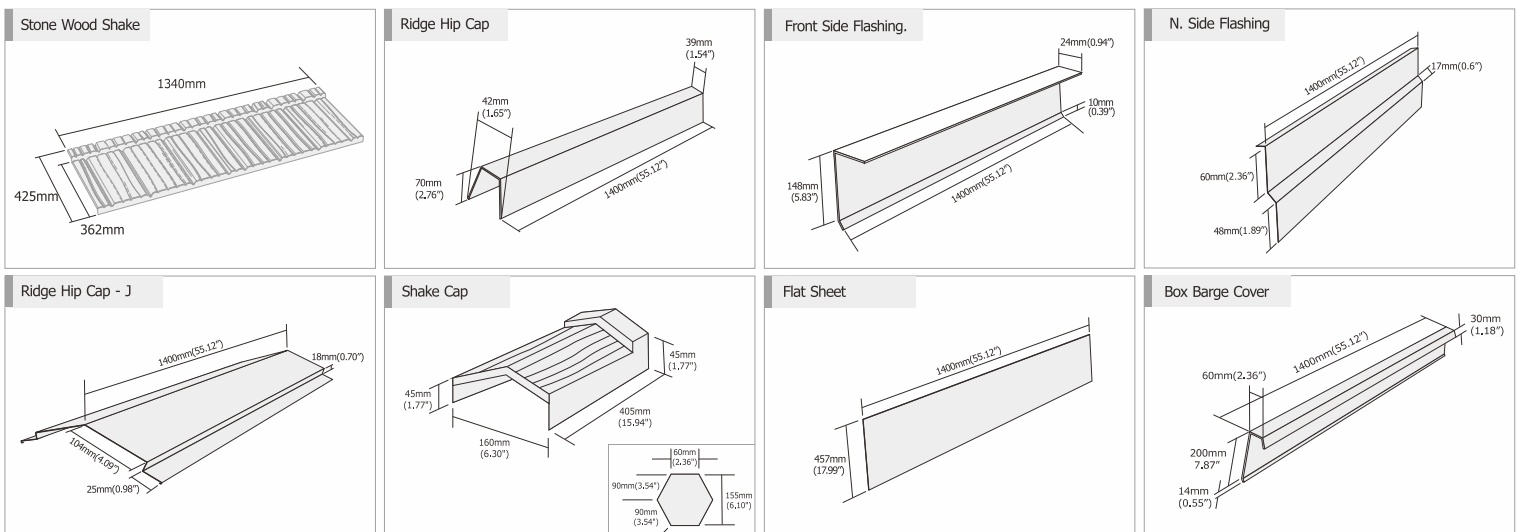


### Dual Color



※ The above color samples may look different from the original products. Please refer the actual sample or Roser's color chart for the actual product's color.

### Stone-Coated Accessories



**ROSER** Stone Coated Steel Roof  
**ROOFING SYSTEM**



#### SEOUL MARKETING OFFICE

One Bldg.12F.,121, Teheran-ro, Gangnam-gu,  
 Seoul, KOREA.    T +82 2 566 7663  
 Marketing@roser.com    F +82 2 563 7663

#### HEAD OFFICE / FACTORY

43, Nae-Ri-19, Amnyang-myeon, Gyeongsan-si,  
 Gyeongsangbuk-do, KOREA.    T +82 53 817 5000  
 Roser@roser.com    F +82 53 817 5454

[www.ROSER.com](http://www.ROSER.com)